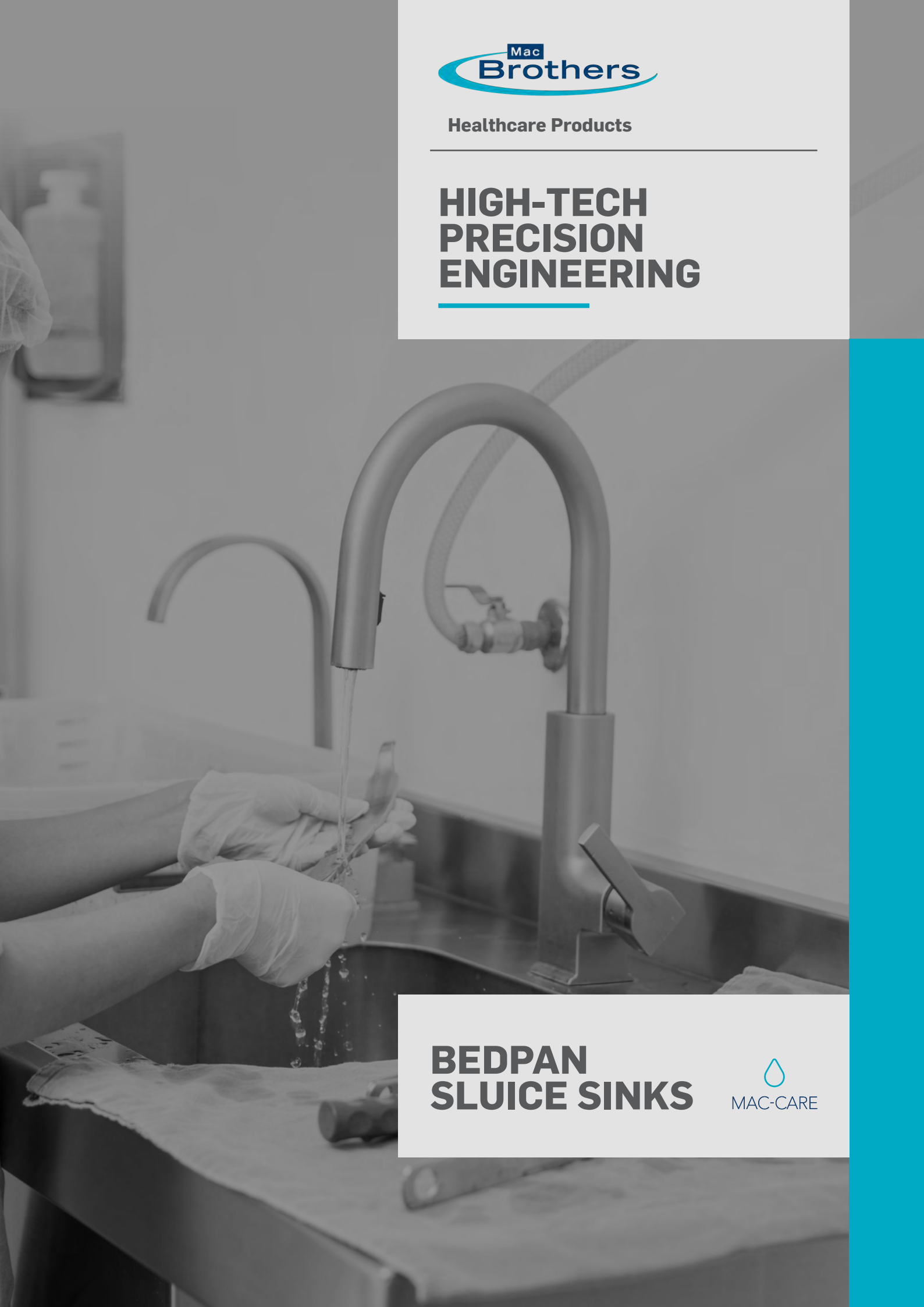




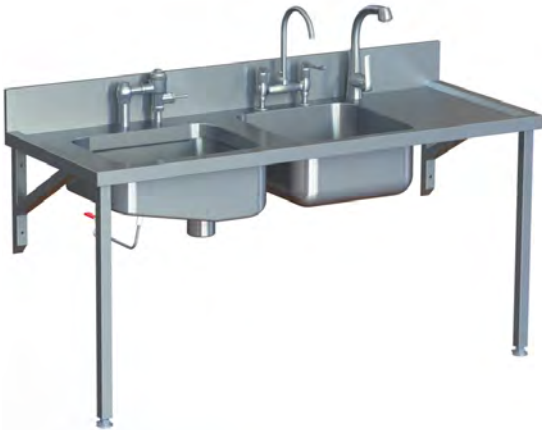
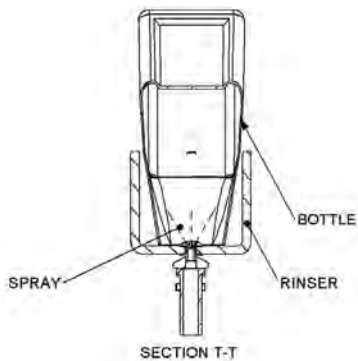
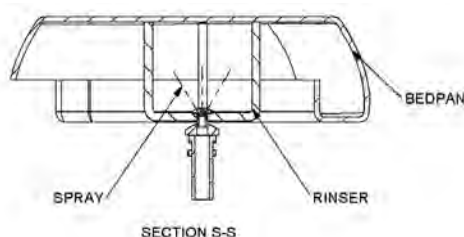
Healthcare Products

HIGH-TECH PRECISION ENGINEERING



BEDPAN SLUICE SINKS



**Combination Sluice Sink****Sluice Sink****Sectional View of Bottle Rinser****Sectional View of Bedpan Rinser**

Bedpan Sluice Sink

Our new range of sluice sinks have been upgraded to provide improved safe-use of the apparatus. Bedpan and bottle wash spray units operate on demand to prevent accidental spray. The bottle or pan is pressed on a spray nozzle, which is spring operated.

Standard Features

- Unique Bedpan Bottle Pincher flush system for operator safety
- Significant water savings with on-demand spray nozzle
- Grade 304 (18/10) stainless steel 1.5mm gauge on drainer
- Gallows brackets and front legs as standard
- Formed seamless bowl designed for the highest level of hygiene and durability
- Pre-plumbed at factory and supplied with all brassware fittings to facilitate easier installation
- Sluice bowl with built-in flush rim mechanism with 110mm outlet
- Optional: Retractable hand spray

Specifications

Model CBS Bedpan & Wash-up Combination Sink (Sluice sink with bowl)

Mac-Care Model CBS Sluice Sink code... (please specify) manufactured from grade 304 (18/10) stainless steel, 1.2mm (draining board), 150mm high splashback to the rear, 15mm deep hospital bead and 50mm apron to front and sides. Unit to be fitted with formed seamless sluice bowl with an integral flushing rim, a 38mm diameter inlet pipe for connection to flush valve and a 110mm waste outlet fitted with removable strainer grid protection. Rinse bowl to be of pressed seamless construction discharging to sluice bowl outlet. Worktop sound deadened with a galvanised mild steel backing sheet. Sluice bowl to be supplied with Bedpan Bottle Pincher flush system including Cobra FMI.00 flush valve. Rinse bowl to be fitted with pillar mixer and retractable hand spray. Unit fitted to wall on 40x40mm square stainless steel gallows brackets and front leg with adjustable stainless steel foot piece for bolting to floor (alternative fixing options available... (please specify if required). Manufactured by Mac Brothers Cape Town.

Specifications

Model BPS with Flush Valve (Sluice sink without rinse bowl)

Mac-Care Model BPS Sluice Sink code (please specify) manufactured from grade 304 (18/10) stainless steel, 1.2mm (draining board) and seamless bowl, 150mm high splashback to the rear, 15mm deep hospital bead and 50mm apron-to-front and sides. Unit to be fitted with a formed seamless sluice bowl with an integral flushing rim, a 38mm-diameter inlet pipe for connection to Cobra FM1.00 flush valve and a 110mm-diameter waste outlet fitted with removable grid protection. Worktop sound deadened with a galvanised mild steel backing sheet. To be supplied with Bedpan Bottle Pincher flush system, Cobra FMI.00 flush valve. Unit fitted to wall on 40x40mm square stainless steel galleys brackets and front leg with adjustable stainless steel foot piece for bolting to floor (alternative fixing options available... please specify if required). Supplied with or without (please specify) retractable hand spray code COB-297CA. Manufactured by Mac Brothers Cape Town.

Product Codes CBS

Order Code	Model	Dimensions	Option	Comments
SMH0108	CBS Bedpan & Wash-up Sink Combination	1800 x 700mm	BP Bowl RHS w Flush Valve	Gallows Mounting
SMH0109	CBS Bedpan & Wash-up Sink Combination	1800 x 700mm	BP Bowl RHS w Flush Valve	Gallows Mounting
SMH0110	CBS Bedpan & Wash-up Sink Combination	1800 x 700mm	BP Bowl RHS w Flush Valve	40 x 40mm Square Legs all round
SMH0111	CBS Bedpan & Wash-up Sink Combination	1800 x 700mm	BP Bowl RHS w Flush Valve	40 x 40mm Square Legs all round

Product Codes BPS

Order Code	Model	Dimensions	Option	Comments
SMH0100	BPS Bedpan Sluice Sink	1200 x 700mm	BP Bowl RHS w Flush Valve	Gallows Mounting
SMH0101	BPS Bedpan Sluice Sink	1200 x 700mm	BP Bowl RHS w Flush Valve	Gallows Mounting
SMH0102	BPS Bedpan Sluice Sink	1200 x 700mm	BP Bowl RHS w Flush Valve	40 x 40mm Square Legs all round
SMH0103	BPS Bedpan Sluice Sink	1200 x 700mm	BP Bowl RHS w Flush Valve	40 x 40mm Square Legs all round
SMH0104	BPS Bedpan Sluice Sink with Retractable Hand Spray	1200 x 700mm	BP Bowl RHS w Flush Valve	Gallows Mounting
SMH0105	BPS Bedpan Sluice Sink with Retractable Hand Spray	1200 x 700mm	BP Bowl RHS w Flush Valve	Gallows Mounting
SMH0106	BPS Bedpan Sluice Sink with Retractable Hand Spray	1200 x 700mm	BP Bowl RHS w Flush Valve	40 x 40mm Square Legs all round
SMH0107	BPS Bedpan Sluice Sink with Retractable Hand Spray	1200 x 700mm	BP Bowl RHS w Flush Valve	40 x 40mm Square Legs all round



Bedpan and Bottle Rack

Rack for Bedpan & Bottle

Model BPBR

Standard Features

- All bottle and bedpan hooks fitted to stainless steel wall cladding for improved hygiene
- Entire unit is removable for ease of cleaning
- Integrated drip tray with drain cock
- Manufactured from Grade 304 (18/10) stainless steel - hygienic & durable
- Available in three standard sizes
- Rubber grommets fitted to ends of bottle rods to prevent scratching of bottles

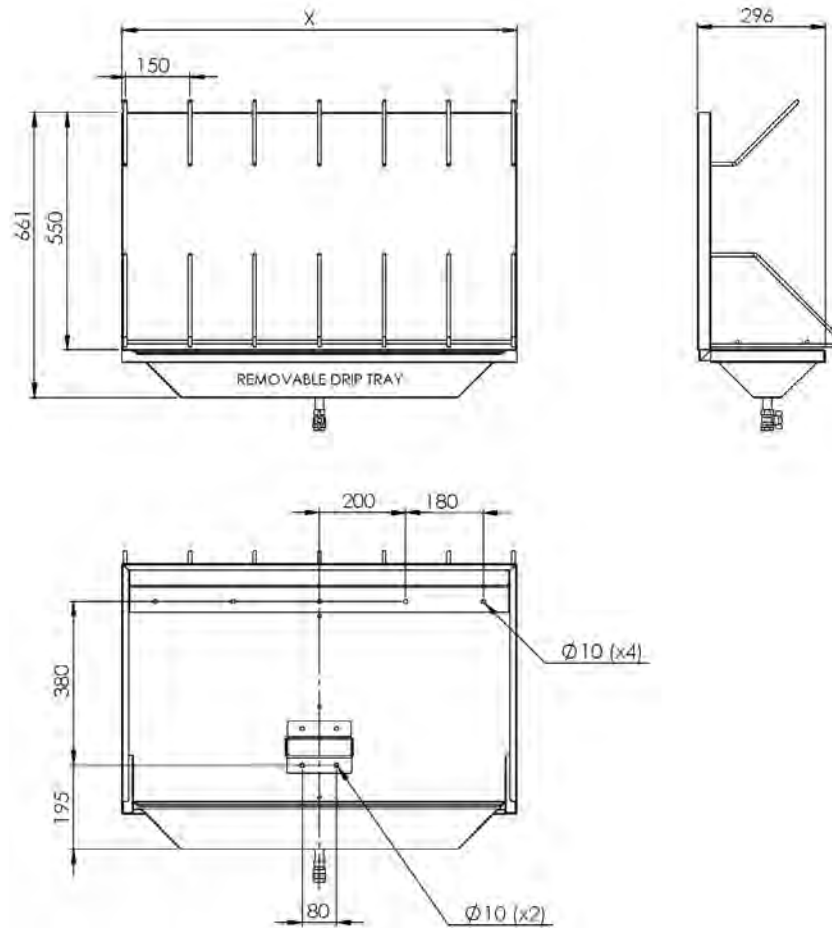
Specifications

Mac-Care model BPBR Bedpan and Bottle Rack code..... (please specify), designed to hold bedpans and bottles made from both stainless steel and/or plastic. Unit manufactured from 1.2mm grade 304 (18/10) stainless steel. Unit to include an integrated removable stainless steel wall cladding with min 550mm height. Bottle and pan storage to be 8mm-diameter grade 304 (18/10) stainless steel round bars secured to back of wall cladding. Drip tray to be fitted with drain cock to facilitate fluid removal to prevent accidental spillage. All round bars to be fitted with rubber grommets. Unit to be secured to wall with galvanised fixing plate and square tubing to enable removal for cleaning. Manufactured by Mac Brothers Cape Town.

Product Codes BPBR

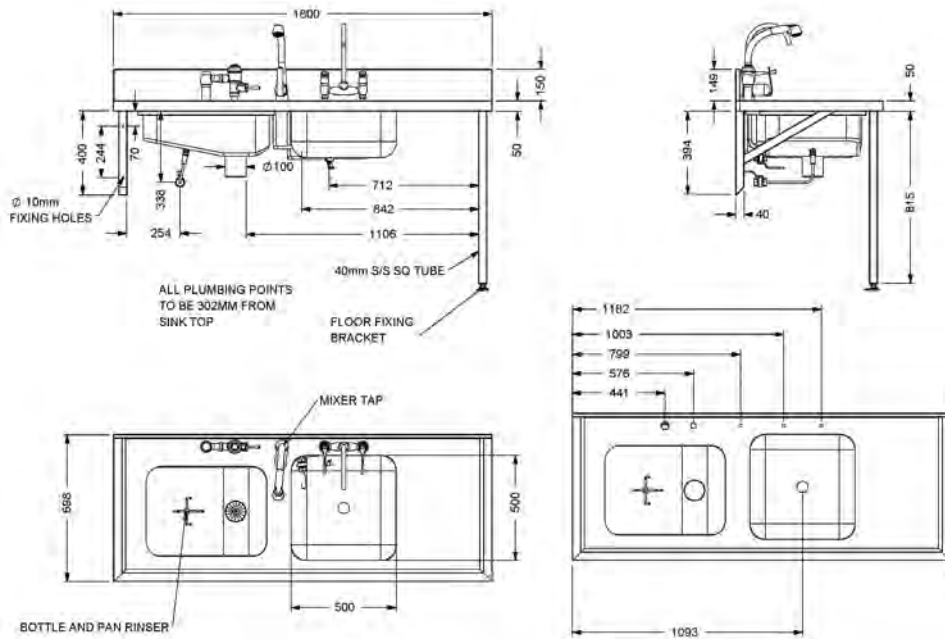
Order Code	Model	Dimensions	Option
SMH0112	BPBR Rack for Bedpan & Bottle	305 x 560mm	Takes 2 Bedpans & 3 Bottles
SMH0113	BPBR Rack for Bedpan & Bottle	610 x 560mm	Takes 4 Bedpans & 5 Bottles
SMH0114	BPBR Rack for Bedpan & Bottle	1000 x 560mm	Takes 6 Bedpans & 7 Bottles

TECHNICAL DRAWINGS

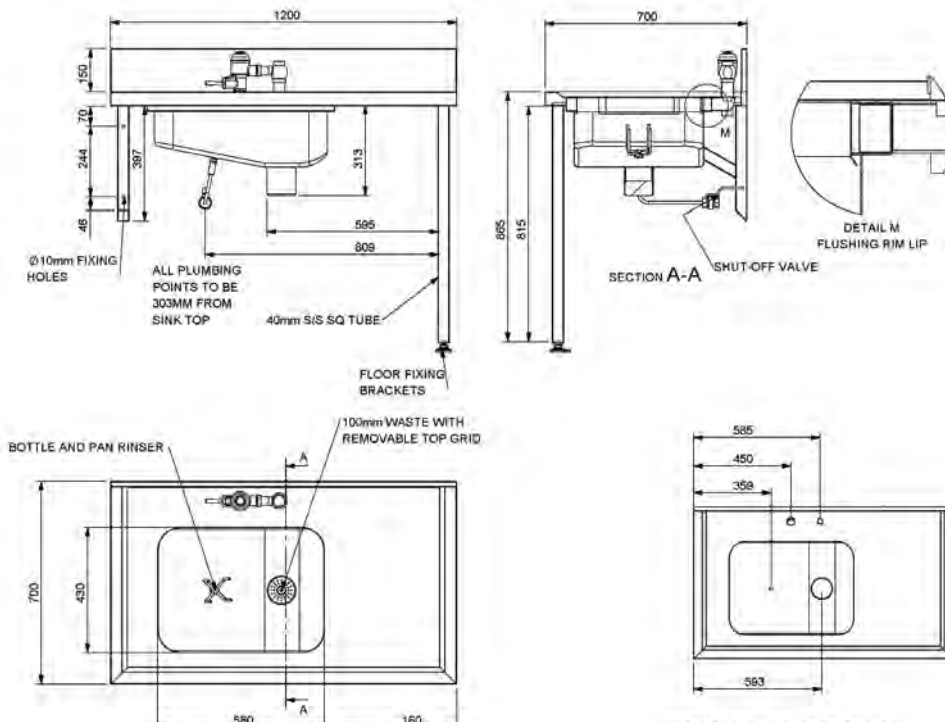


Bedpan Bottle Rack

TECHNICAL DRAWINGS



CBS Combination Sluice Sink



BP Sluice Sink



CALL 0860 111 MAC
www.macbrothers.co.za
info@macbrothers.co.za

CAPE TOWN • JOBURG • DURBAN • HARARE

DISCLAIMER The information supplied in this brochure is based on the information believed to be reliable, however not binding and inaccuracies may occur. Mac Brothers (Pty) Ltd reserves the right to change specifications and design at any time without notice. Copyright by Mac Brothers (Pty) Ltd. All rights reserved under the Copyright Act of 1987 with the amendments. Reproduction of any of the content, partial or full, is only allowed upon prior written approval by Mac Brothers (Pty) Ltd, which shall not be unreasonably refused.