



Healthcare Products

---

# HIGH-TECH PRECISION ENGINEERING

---

**CLEANER  
DRIP SINKS**



**Large Cleaner Sink 350mm Splashback****Large Cleaner Sink 50mm Splashback**

## Cleaner Drip Sinks

### Large Cleaner Drip Sink

A large pressed bowl 50-litre capacity cleaner sink with 250mm depth to minimise spillage as a standard. A new model with integrated 450mm splashback has been introduced to improve hygiene against wall.

### Standard Features

- Grade 304 (18/10) 1.2 mm stainless steel
- Large bowl 50-litre capacity
- Hinged bucket grid
- Stainless steel gallow brackets
- 350mm or 50mm high splashback
- Optional: without tap and tap holes

### Specifications

#### 450mm Splashback Model

Mac-Care LCDS cleaner sink code... (please specify) with 450x450x250mm deep seamless pressed bowl, manufactured from Grade 304 (18/10) stainless steel 1.2mm gauge. Splashback to be 450mm in height and provision for a 40mm waste outlet. Unit to be fitted with stainless steel hinged bucket grid manufactured from 10mm diameter stainless steel round bar and fixed to the wall 600mm high from the top of the front apron to the finish floor level using a top mounting bracket and a hanger bracket with anchor bolts. Manufactured by Mac Brothers Cape Town.

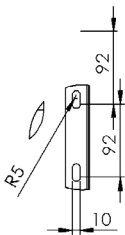
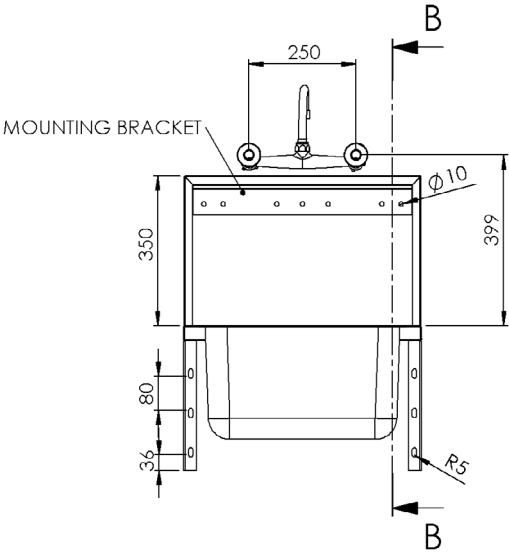
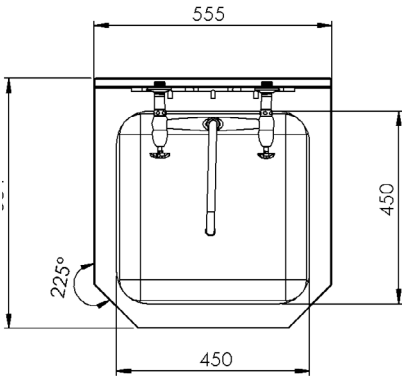
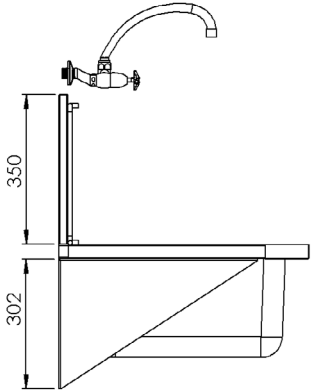
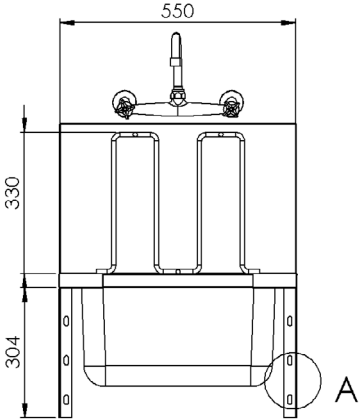
#### 50mm Splashback Model

Mac-Care LCDS cleaner sink code... (please specify) with 450x450x250mm deep seamless pressed bowl, manufactured from Grade 304 (18/10) stainless steel 1.2mm gauge. Splashback to be 50mm in height and provision for a 40mm waste outlet. Unit to be fitted with stainless steel hinged bucket grid manufactured from 10mm diameter stainless steel round bar and fixed to the wall 600mm high from the top of the front apron to the finish floor level using a hanger bracket with anchor bolts. Manufactured by Mac Brothers Cape Town.

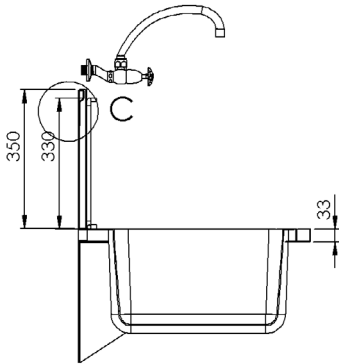
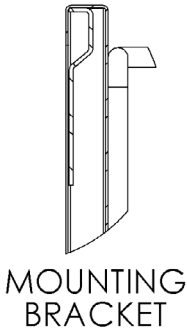
### Product Codes

Order Code	Model	Dimensions	Comments
SMH0117	LCDS Large Cleaner Drip Sink 450mm SB	600 x 500 x 300mm	Hanger Bracket
SMH0118	LCDS Large Cleaner Drip Sink 50mm SB	600 x 500 x 300mm	Hanger Bracket

# TECHNICAL DRAWINGS



DETAIL VIEW OF HANGER BRACKET



SECTION B-B

## TECHNICAL DRAWINGS

