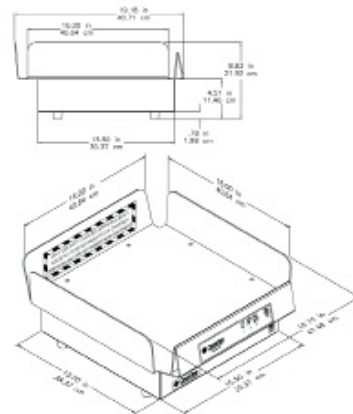


Universal Thermal Delivery System UTDS-200

- Portable tabletop design with powder coated steel, heavy duty electronic components, and high impact, polycarbonate locator.
- Microprocessor monitors vital components multiple times per second to check for overheating, power supply problems, and more.
- Initial charge in 5 minutes or less.
- Recharge in 90 seconds (avg.)
- Lightweight pellet and bag at 5 lbs.
- Extremely easy to implement with no pellet cord, no maintenance and no extra labour steps.
- Charger housing manufactured and designed for easy installation.
- Charger does not emit any heat on the locator surface.
- User friendly membrane panel and lighted displays are easy to operate and understand.
- Charger manufactured and designed to handle moderate exposure to flour, dust, oil, grease and various other food substances found in food establishments.
- Automatic load detection allows for instant energy transmission to bag, and no energy use when load is not present.



Model Number	UTDS-200
Power requirements	240 V, 50/60Hz
Amperage Max	7.5 amps
Power	1.5 kW
Charger dimensions (mm)	487 x 462 x 219H
Weight (Packaged)	7.7 kg net/ 9.5 packaged