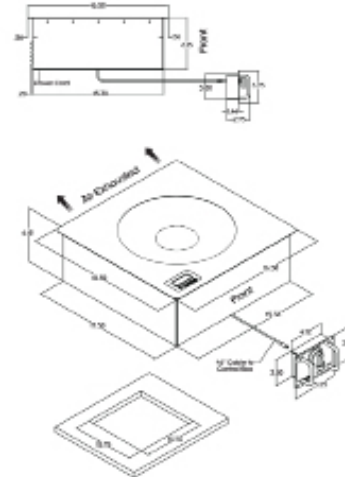




Drop In Induction Wok MWDG-3500

- Drop-in countertop design with Stainless steel top, aluminum housing and control box, heavy duty electronic components, and specially engineered, high-impact, high-temperature, recessed glass wok bowl designed for use in commercial kitchens.
- Induction coil surrounds glass bowl to allow for maximum heating of induction compatible wok pans.
- Control knob for ease of use and automatic power control.
- SmarTemp temperature allows for 20 power cook settings.
- Pan Maximizer feature achieves maximum heating rate of induction compatible wok pan.
- Microprocessor monitors vital components 120 times per second to check for overheating, power supply problems, and more. Cooktop shuts off and displays error codes enabling user to diagnose and fix minor problems.
- LED display for precise user feedback.
- Automatic pan detection allows for instant energy transmission to pan, and no energy use when pan is not present.
- Automatic shut-off feature prohibits overheating.
- Drop-in cooktops and control boxes engineered and designed for easy installation.
- Easy-to-clean glass bowl.
- Integral cooling fan keeps internal electronics cool.



| | |
|--------------------|--------------------------|
| Model Number | MWDG-3500 |
| Power requirements | 200 - 240 V, 1 PH |
| Power consumption | 3500 W |
| BTU comparison | 31,000 BTU |
| Voltage | 200 - 240 V 50/60Hz |
| Amperage | 17 amps (at max setting) |
| Temperature range | 30 - 260°C |
| Dimensions (mm) | 419 x 419 x 156H |
| Weight | 9.75 kg |