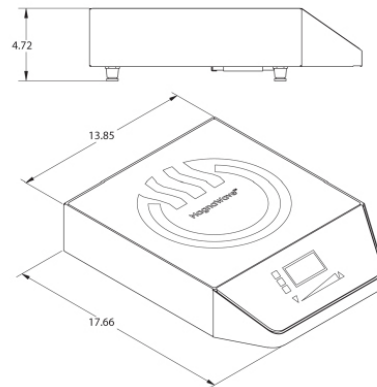




## Apogee Freestanding Cooktop MC-3500G

- Portable tabletop design with 18 gauge 304 Stainless steel housing, heavy duty electronic components, and high impact ceramic glass top designed for use in the commercial kitchen.
- Built in cooking timer.
- SmarTemp temperature control allow for 100 power cook and temperature settings.
- Pan Maximizer feature achieves maximum heating of any induction compatible pan.
- Microprocessor monitors vital components 120 times per second to check for overheating, power supply problems , and more. Cooktop shuts off and displays error codes enabling user to diagnose and fix minor problems.
- LCD display panel with capacitive touch for precise user feedback and operation.
- Automatic pan detection allows for instant energy transmission to pan.
- Automatic shut-off feature prohibits overheating
- Sloped front panel allows for easy viewing and operation.
- Easy-to-clean glass top and front surface.
- Integral cooling fan keeps internal electronics cool.



Model Number	MC-3500G
Power requirements	200 - 240 V, 1 PH
Power consumption	3500 W (at max. setting)
BTU comparison	31, 000 BTU
Voltage	200 - 240 V 50/60Hz
Amperage	17 amps (at max. setting)
Temperature range	85 - 500°F 30 -260°C
Dimensions (mm)	448 x 351 x 119H
Weight	8.05 kg